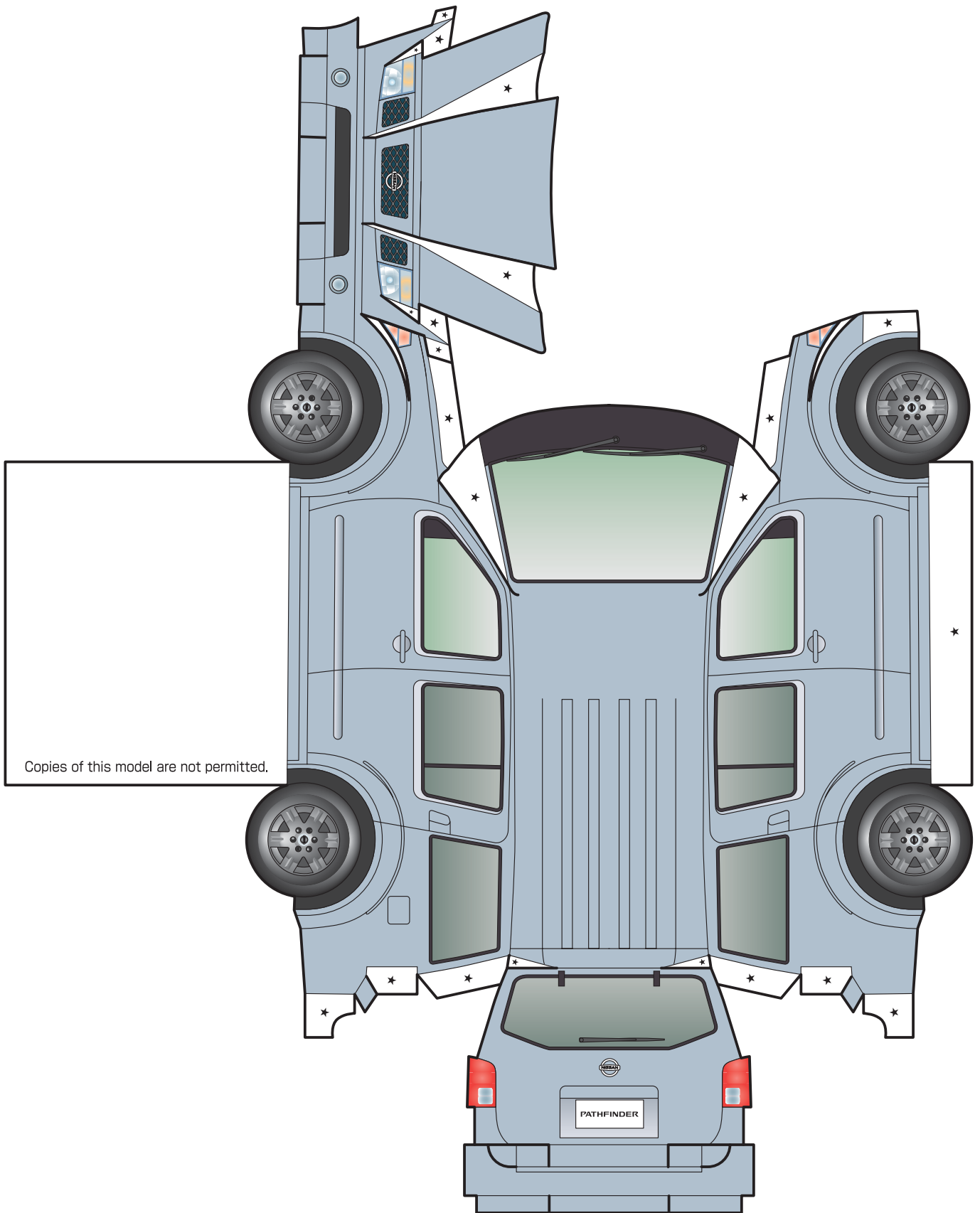


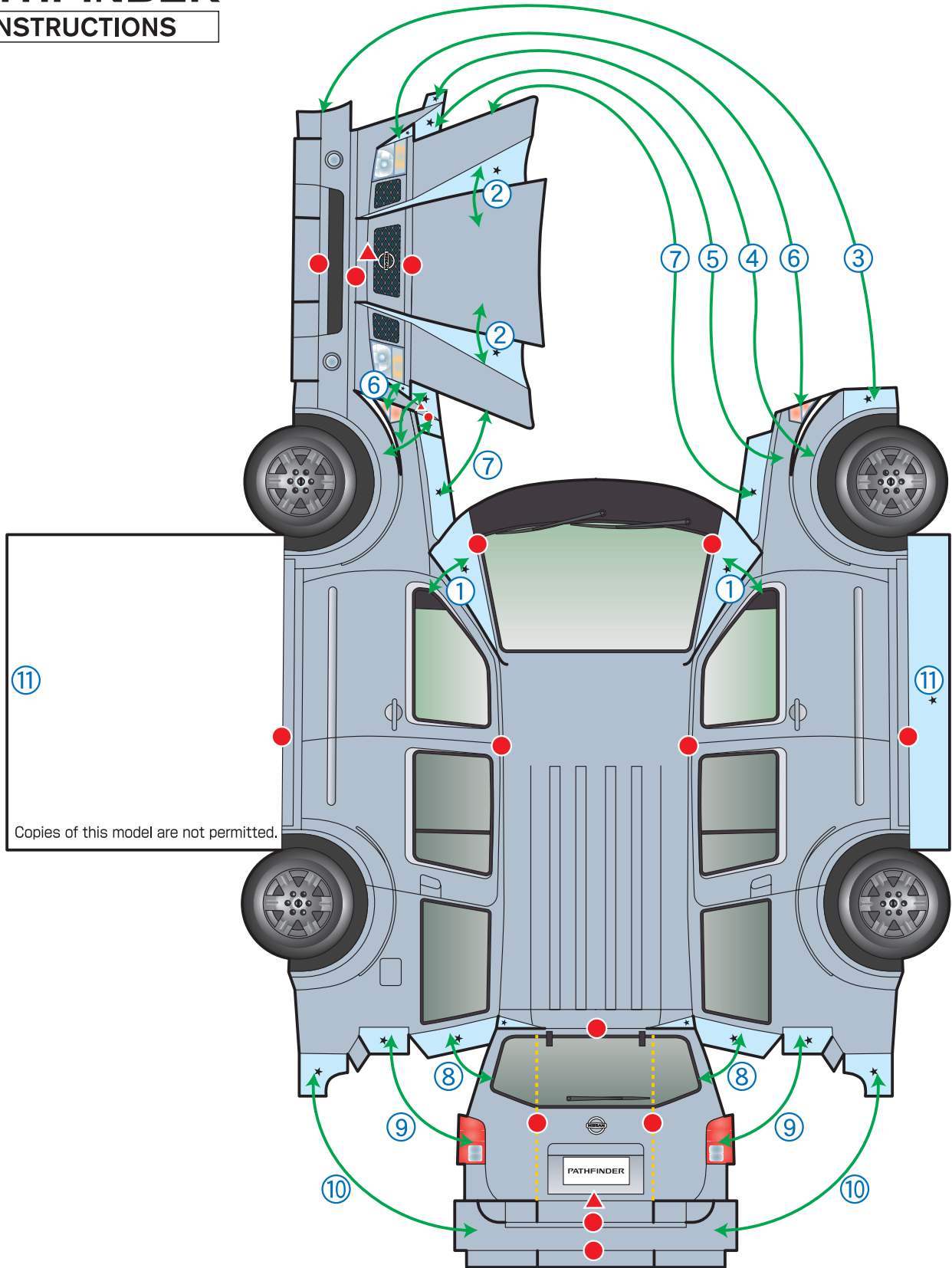
# PATHFINDER

## PAPER CRAFT



# PATHFINDER

## INSTRUCTIONS



Copies of this model are not permitted.

This paper craft was designed by Yu Mori and MIWAKIKAKU Co.,Ltd.

### How to assemble:

Things you need: scissors, cutter, ruler, glue (preferably a fast-drying type such as wood glue).

Thick paper, such as Kent paper, is preferable for printing.

1. Carefully cut out the printout along the bold lines.

2. Mountain fold at ● signs, valley fold at ▲ signs.

3. Glue the ★ signs (tabs) on the body from ① to ⑪ as indicated by the arrows. Light blue parts are tabs, so it is not necessary to color them.

4. The secret to assembling the paper model is to make sure to mountain fold and valley fold carefully according to the order of assembly.

### **How to assemble the model?**

#### **● If you wish to assemble directly from the print-out:**

Download the “Colored PDF file” , print it out, and assemble.

#### **● If you wish to paint the model yourself after printing it out:**

Download the “Uncolored PDF file” , paint as you like, and assemble.

■ Please note that we do not respond to individual queries regarding assembly of the paper model.

#### **■ How to assemble**

Things you need: scissors, cutter, ruler, glue (preferably a fast-drying type such as wood glue.)

■ Thick paper, such as Kent paper, is preferable for printing.

#### **■ Copyright**

Paper model designers: Mori Yu & Miwa Planning Corporation

It is prohibited by law to sell, reprint, or translate copies of this data without authorization.